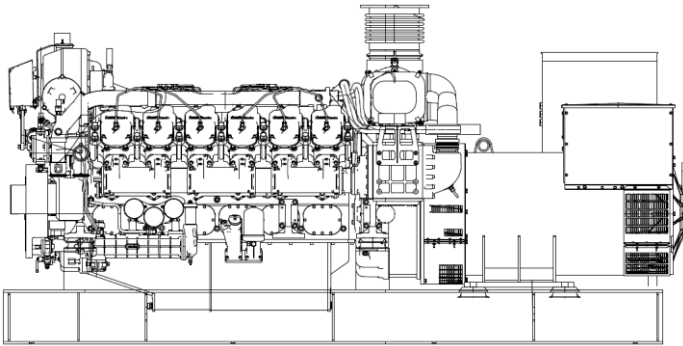


Gensets of RIGAS DIZELIS DG make, based on BAUDOUIIN marine engines.

RIGAS DIZELIS DG marine gensets based on BAUDOUIIN engines have been designed and developed to operate in diverse sea conditions. Certification by all major classification authorities is available.

Description & Key Scope

- Common bed frame, manufactured of electro welded steel profiles
- Control panel (on genset frame)
- Vibration isolators between generating set and base frame
- Keel or heat exchanger cooling system
- Engine heater
- 24V starter, engine-driven charging alternator
- Flexible compensator and silencer
- Alternator anti-condensation heater
- Drawing & Manual package
- Factory Test Report
- Factory Quality Certificates
- Certificates from major IACS members are available
- EIAPP certificate for engine with Technical File



| Genset model | PRP*, kWe | Fuel consumption (100% load), l/h | Genset model | PRP*, kWe | Fuel consumption (100% load), l/h | Length**, cm | Width**, cm | Height**, cm | Weight**, kg |
|------------------------|-----------|-----------------------------------|------------------------|-----------|-----------------------------------|--------------|-------------|--------------|--------------|
| 50 Hz, 400 V, 1500 rpm | | | 60 Hz, 440 V, 1800 rpm | | | | | | |
| EM488BL | 488 | 120.0 | - | - | - | 370 | 156 | 212 | 5490 |
| EM584BL | 584 | 143.0 | 6EM604BL | 604 | 152.0 | 379 | 156 | 212 | 5635 |
| EM656BL | 656 | 160.0 | 6EM672BL | 672 | 168.6 | 379 | 156 | 212 | 5700 |
| EM728BL | 728 | 188.0 | 6EM752BL | 752 | 200.4 | 388 | 156 | 212 | 5850 |
| EM777BL | 777 | 201.0 | 6EM836BL | 836 | 221.4 | 388 | 156 | 212 | 5900 |
| EM835BL | 835 | 216.0 | 6EM877BL | 877 | 232.3 | 393 | 156 | 212 | 6500 |

** final dimensions and weight dependent on selected options

Description & Key Scope

*Prime Power rated in accordance with ISO 3046-1 in ambient conditions of 45°C and 100kPa.

For continuous operation and unlimited yearly operation at varying load. Max. mean load factor of 70% of rated power over 24h of operation. 1 hour/12 hours period of accumulated peak overload to 110%.

Engine General Data*

| | |
|--------------------------------------|-------------------------------|
| Maker | BAUDOQUIN |
| Model | 12M26.2 |
| No of cylinders | V-12 |
| Working principle | 4-stroke |
| Displacement, L | 31.8 |
| Bore x stroke, mm | 150 x 150 |
| Compression ratio | 15.7:1 |
| Aspiration | Turbocharged + intercooler |
| Rotation (seen from flywheel end) | Counter clockwise |
| Flywheel | SAE 18" |
| Injection system type | In line injection pump |
| Governor type | Electronic |
| Oil capacity | 113 liter |
| Starter type | 2-pole, 24V, DC |

* Other engine parameters are available on request.

Alternator General Data**

| | |
|------------------------|--|
| Maker | STAMFORD (CUMMINS) LEROY-SOMER (other brands on request) |
| Poles | 4 |
| Cos φ | 0.8 |
| Coupling | Direct |
| Insulation class | H |
| Temperature Rise class | F/H |
| Execution | Brushless |
| Standard protection | IP23 |

** Other alternator parameters are available on request.

Available Key Options (other options are available on request)

Engine

- Radiator cooling system (for Emergency / Harbour gensets)
- Manual or electric lub oil drain pump
- Starting batteries
- Static battery charger
- Air, spring or hydraulic starter
- Duplex oil and fuel filters

Alternator

- Winding temperature measuring
- Bearing temperature measuring
- Quadrature droop kit for parallel operation
- Air filter
- IP44 protection
- Water cooling

Control

- Remote control panel
- Potentiometers for remote engine speed and alternator voltage regulation

Other

- Installation in soundproof and weathertight canopy or container
- Special tools and spare parts
- Commissioning and start-up
- Extended warranty



ANNO 1949

Address: 36 Ganību dambis, Rīga, Latvia, LV-1005
Telephone: +371 67391781, +371 67381626
Fax: +371 67381925
E-mail: sales@rigasdizelis.lv
Website: www.rigasdizelis.lv